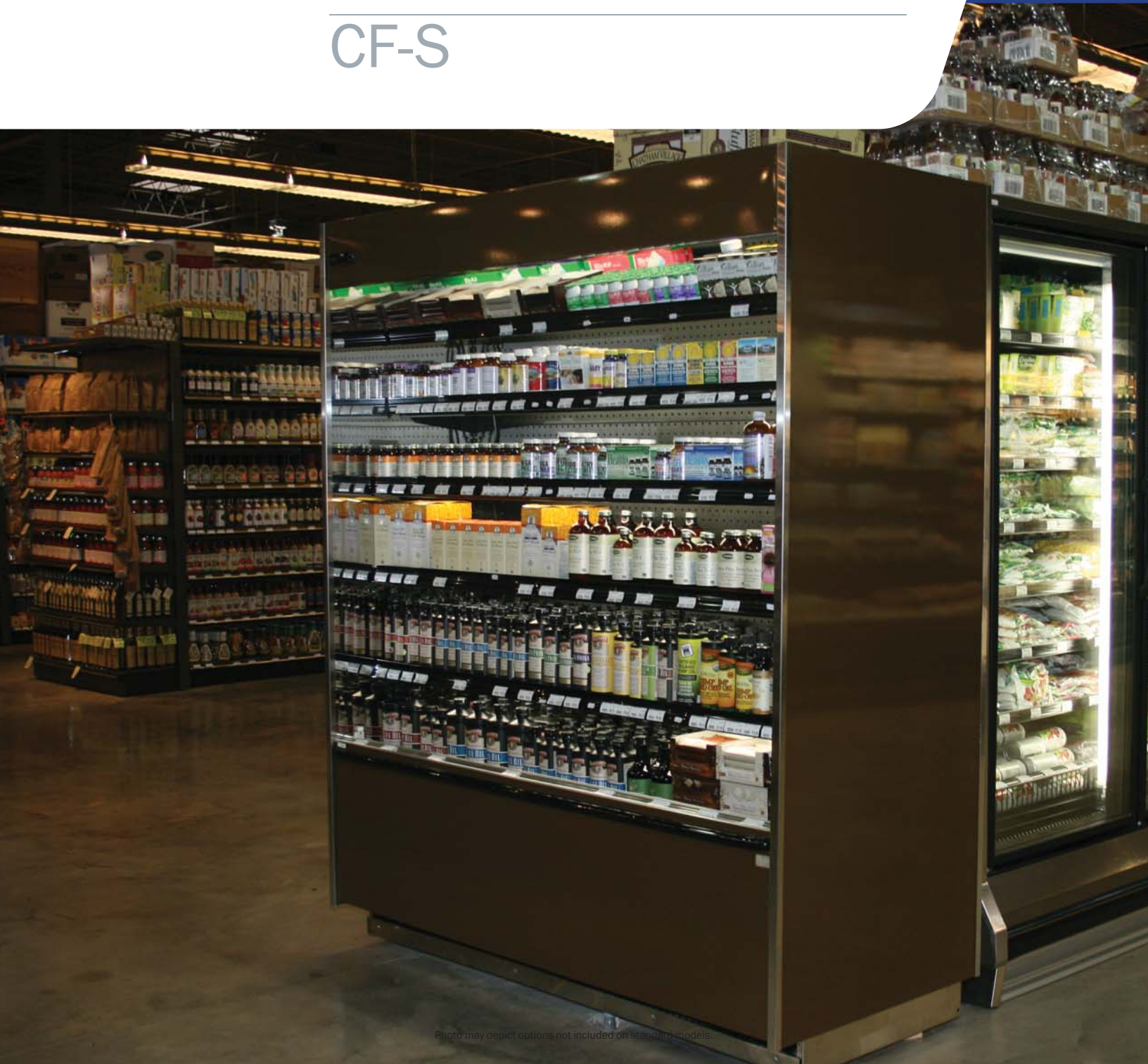
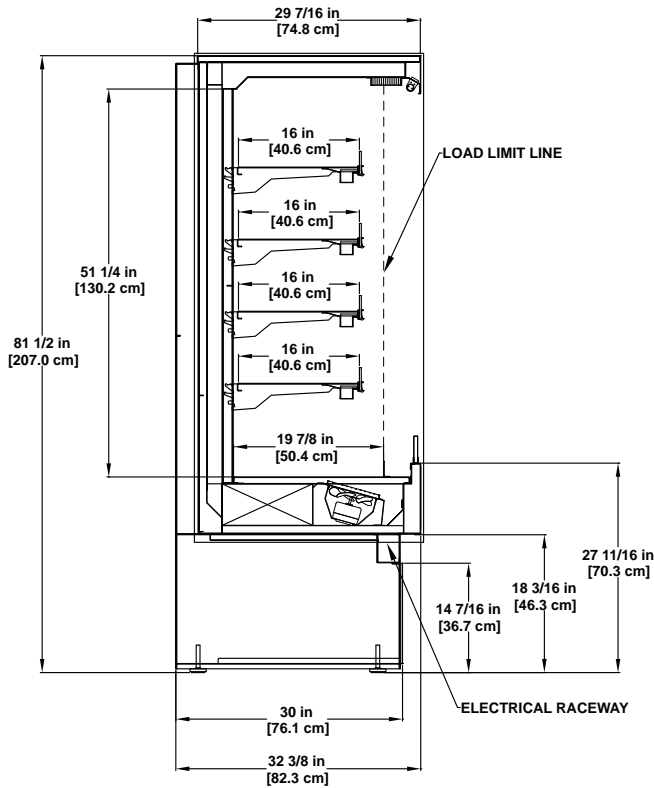


Self-Service Multi-Deck

Refrigerated general merchandiser.

CF-S





Please consult Hillphoenix Engineering Reference Manual for dimensions, plan views and technical specifications. Specifications subject to change without notice. Designed for optimal performance in store environments where temperature and humidity do not exceed 75°F and 55% R.H. Certified to UL 471, NSF Standard 7 and CAN/CSA C22.2.

Available Options

- Available lengths: 4', 6', 8', 10' and 12'.
- 35" Deep case with up to (4) rows of 20" shelves.
- Exterior finishes: Exterior grade laminate.
- Recessed casters.
- Cart bumper.
- Econofrost night cover with or without cassette.
- Polycarbonate night cover.
- Magnetic nightshield.
- Swing rear load doors (dual plenum-add 2-1/2" to overall case depth).
- Sliding rear load doors (dual plenum-add 2-1/2" to overall case depth).
- Rear raceway.
- Undershelf lighting.
- LED lighting.
- Remote, DX, or Glycol refrigeration package.

Features and Benefits

- Closed base construction with leveling pads.
- Standard 81-1/2"H and 32-1/2"D with chimney.
- 18-3/16"H painted metal base, front and sides.
- Painted metal exterior.
- Stainless steel exterior trim.
- Painted metal interior.
- Interior trim to match interior.
- Painted metal to match exterior front, side and rear base.
- Outside back and 29-7/16"D case top painted to match exterior.
- 3-1/2"H x 1/2" thick polished straight dieboard plex.
- (4) rows each 16" adjustable angled, black painted metal shelves with black price tag molding with 3" polycarbonate product stop.
- Canopy top light.
- Painted black metal flat bottom deck with 2" metal product stop.
- Front electrical raceway.
- Solar digital thermometer.
- Self-contained refrigeration package.



Hillphoenix
A DENVER COMPANY

Keosauqua, IA
319.293.3777
hillphoenix.com

©2014 Hillphoenix, Inc.

SP-CF-Sv2015