

#### ELECTRICAL DATA

Doors	Fans Per Case	High Efficiency Fans	
		120 Volts	
		Amps	Watts
2-door	2	0.22	16.0
3-door	2	0.22	16.0
4-door	3	0.33	24.0
5-door	3	0.33	24.0
4'	1	0.11	8.0
8'	2	0.22	1.0
12'	3	0.33	24.0

#### LIGHTING DATA

Doors	Door Size	LED Lighting					
		Optimax Pro		Bi-Swing Lights		GE Immersion	
		120 Volts		120 Volts		120 Volts	
		Amps	Watts	Amps	Watts	Amps	Watts
2-door	30"	0.36	43.0	---	---	0.33	39.0
3-door	30"	0.53	64.0	---	---	0.48	58.0
4-door	30"	0.71	85.0	---	---	0.64	77.0
5-door	30"	0.88	106.0	---	---	0.80	96.0
4'	24"	0.34	40.0	0.25	29.9	0.30	35.0
8'	24"	0.73	87.0	0.50	59.8	---	---
8'	32"	0.53	64.0	---	---	0.48	58.0
12'	24"	1.08	130.0	0.75	89.7	---	---
12'	36"	0.71	85.0	---	---	0.64	77.0

#### ANTI-CONDENSATE DATA

Doors	Door Size	HP 90 Low Heat	
		120 Volts	
		Amps	Watts
2-door	30"	0.97	116.0
3-door	30"	1.43	172.0
4-door	30"	1.89	227.0
5-door	30"	2.35	282.0
4'	24"	0.60	72.0
8'	24"	1.19	143.0
8'	32"	1.52	182.0
12'	24"	1.78	214.0
12'	36"	2.04	245.0

Defrost Schedule	
Defrosts per Day	Time
1	12 midnight
2	12am - 12pm
3	6am - 2pm - 10pm
4	12am-6am-12pm-6pm

# XRBH High Reach-In Merchandiser

2, 3, 4, & 5-door / 4', 8', & 12' (Beverage / Dairy / Deli / Meat / Produce)

## GUIDELINES and CONTROL SETTINGS

Application	Doors	Door Size	BTUH/door		Evaporator (°F)	Superheat Set Point @ Bulb (°F)	Discharge Air (°F)	Discharge Air Velocity (FPM) •
			Conventional	Parallel				
Bev / Prod / Cut Prod /Deli / Dairy	2-5 doors	30"	549	530	28	6 - 8	34	570
Bev / Prod / Cut Prod /Deli / Dairy	2 doors	24"	439	425	28	6 - 8	34	570
Bev / Prod / Cut Prod /Deli / Dairy	4 doors	24"	439	425	28	6 - 8	34	570
Bev / Prod / Cut Prod /Deli / Dairy	3 doors	32"	585	566	28	6 - 8	34	570
Bev / Prod / Cut Prod /Deli / Dairy	6 doors	24"	439	425	28	6 - 8	34	570
Bev / Prod / Cut Prod /Deli / Dairy	4 doors	36"	658	637	28	6 - 8	34	570
Meat	2-5 doors	30"	657	575	24	6 - 8	30	570
Meat	2 doors	24"	526	460	24	6 - 8	30	570
Meat	4 doors	24"	526	460	24	6 - 8	30	570
Meat	3 doors	32"	701	613	24	6 - 8	30	570
Meat	6 doors	24"	526	460	24	6 - 8	30	570
Meat	4 doors	36"	789	690	24	6 - 8	30	570

## DEFROST CONTROLS

Defrosts Per Day	Timed-Off Defrost	
	Fail-Safe (Min)	Termination Temp (°F)
4	30	42

### NOTES:

- 8-foot cases can consist of 3 (32") doors or 4 (24") doors; 12-foot cases can consist of 4 (36") doors or 6 (24") doors.
- Data listed for Optimax Pro lighting represent the low power option. High power lights are also available.
- Values provided for Bi-Swing lights represent a combination of Optimax Pro and Clearvoyant LED lights on bi-swing door configurations.
- Listed discharge air velocity represents the average velocity at the peak of defrost.
- If a discharge air temperature sensor is used to terminate defrost cycle, termination temperature should be set to 55°F.
- The recommended evaporator temperatures may need to be adjusted based on system setup, store conditions, etc. The minimum recommended evaporator temperature is 4°F below the listed evaporator temperature.

**Hillphoenix**

REVISION: 150408\_1115

A DOVER COMPANY



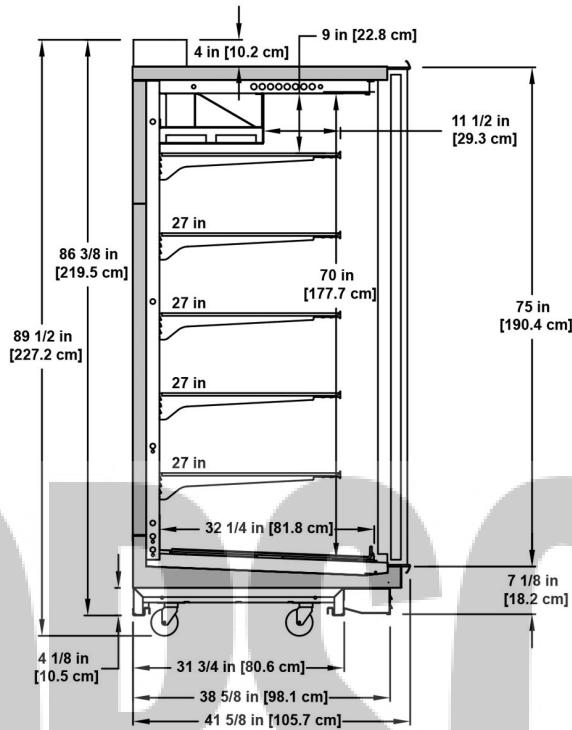
COMPONENT

Defrost Schedule	
Defrosts per Day	Time
1	12 midnight
2	12am - 12pm
3	6am - 2pm - 10pm
4	12am-6am-12pm-6pm

All measurements are taken per ASHRAE - 72 - 2005 specifications.

Hillphoenix refrigerated display cases for sale in the United States meet or exceed Department of Energy 2012 energy efficiency requirements.

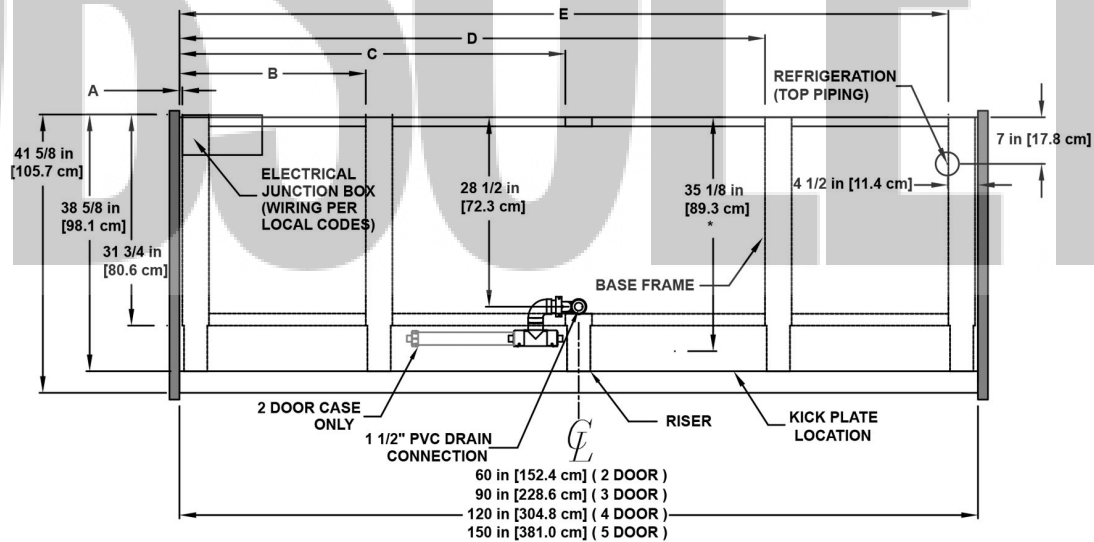
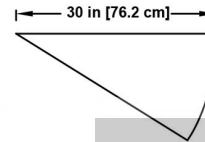
### 2, 3, 4, 5 DOORS



XRBH		BASE FRAME STRUCTURE				
CASE LENGTH	DOORS	A	B	C	D	E
60"	2	3/8"	28"	55 1/2"		
90"	3	3/8"	28"	58"	85 1/2"	
120"	4	3/8"	28"	58"	88"	115 1/2"
150"	5	3/8"	28"	88"	118"	145 1/2"

\* RISER SUPPORT

STANDARD SWING DOOR  
2,3,4,5 - DOOR CASES



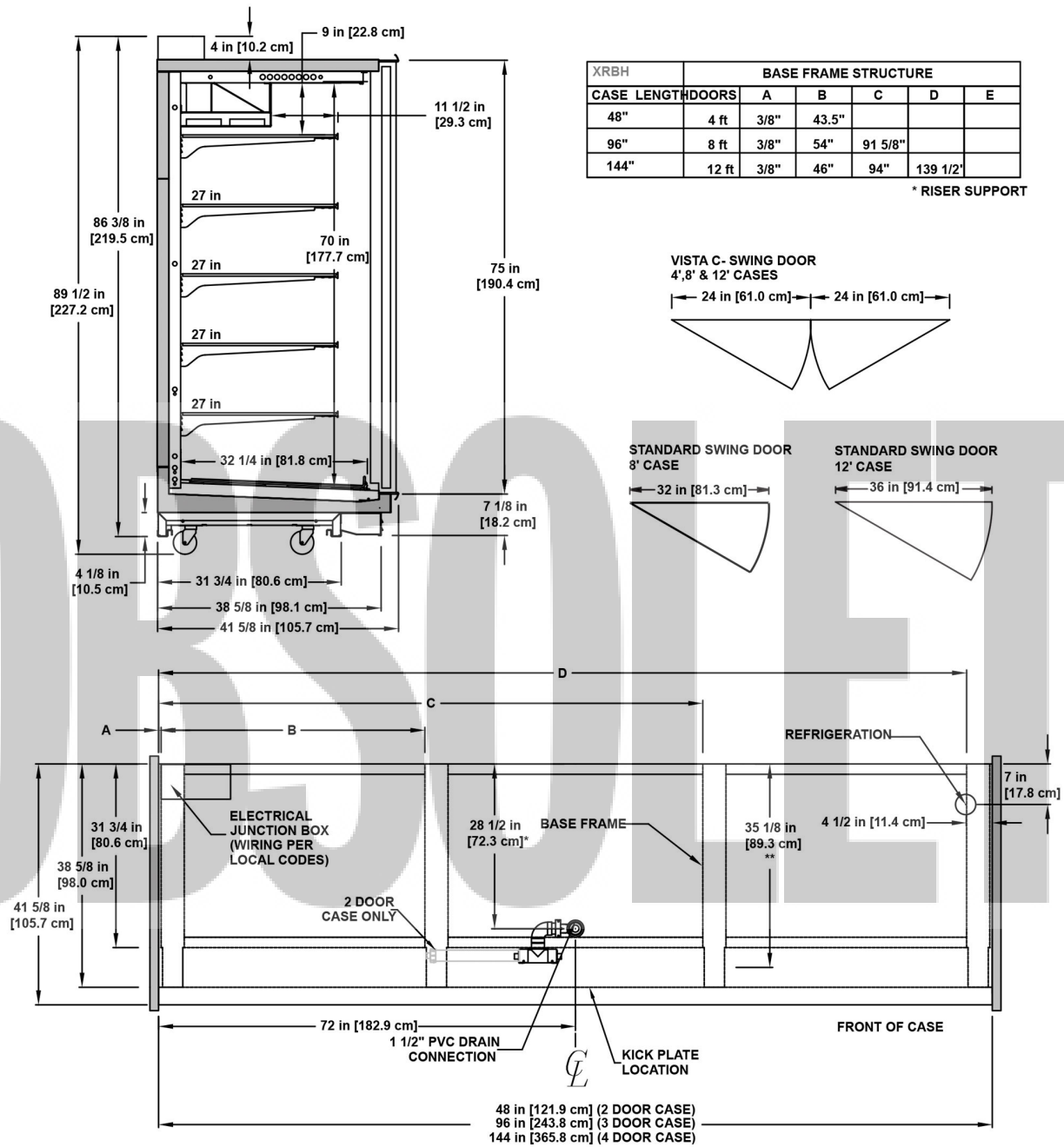
**NOTES:**

\* : STUB-UP AREA

\*\* : RECOMMENDED STUB-UP CENTERLINE FOR ELECTRICAL AND HUB DRAINS

- ENDS ADD APPROXIMATELY 1" TO CASE HEIGHT, 1/2" TO THE BACK & 1" TO THE FRONT
- A 2" MINIMUM AIR GAP IS REQUIRED BETWEEN THE REAR OF THE CASE AND A WALL
- SUCTION LINE (ALL LENGTHS) - 5/8"
- LIQUID LINE (ALL LENGTHS) - 3/8"
- AVAILABLE SHELF SIZES:  
• WIRE SHELVES 16", 18", 20", 22" & 23 1/2"
- SOLID SHELVES 18", 20", 22", 24, & 27"

#### 4', 8', 12' LENGTHS



**NOTES:**

\* : STUB-UP AREA

\*\* : RECOMMENDED STUB-UP CENTERLINE FOR ELECTRICAL AND HUB DRAINS

- ENDS ADD APPROXIMATELY 1" TO CASE HEIGHT, 1/2" TO THE BACK & 1" TO THE FRONT
- A 2" MINIMUM AIR GAP IS REQUIRED BETWEEN THE REAR OF THE CASE AND A WALL
- SUCTION LINE (ALL LENGTHS) - 5/8"
- LIQUID LINE (ALL LENGTHS) - 3/8"
- AVAILABLE SHELF SIZES:  
WIRE SHELVES 16", 18", 20", 22" & 23 1/2"  
SOLID SHELVES 18", 20", 22", 24, & 27"