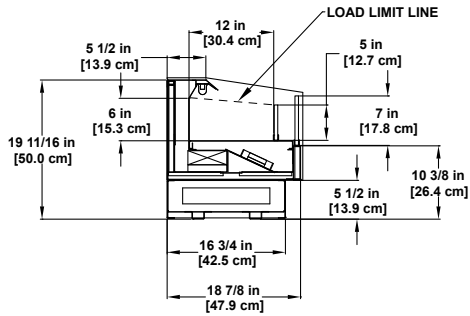


Self-Service Single-Deck

Refrigerated kangaroo-style companion merchandiser.

KFD





Please consult Hillphoenix Engineering Reference Manual for dimensions, plan views and technical specifications. Specifications subject to change without notice. Designed for optimal performance in store environments where temperature and humidity do not exceed 75°F and 55% R.H. Certified to UL 471, NSF Standard 7 and CAN/CSA C22.2.

Available Options

- Stainless steel exterior and interior.
- Painted outside back.
- End to match rear case profile.
- Glycol & CO₂ refrigeration package.
- LED top light.

Features and Benefits

- Sled runner base construction.
- Standard 19-11/16" case height.
- Standard 18-7/8" case depth.
- Standard 5-1/2" base height.
- Painted metal exterior.
- Stainless steel base trim.
- Stainless steel exterior trim.
- Painted metal case top.
- Galvanized/unpainted outside back.
- Black painted metal interior.
- 5"H polished bottom deck plex product stop.
- 7"H polished dieboard plex.
- T8 top light.
- Ballast tray/box.
- Energy efficient fans.
- Remote refrigeration package.



Hillphoenix
a DOWER COMPANY

Keosauqua, IA
319.293.3777
hillphoenix.com

©2014 Hillphoenix, Inc.

SP-KFDv1014